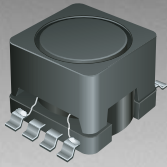


LEAD FREE
VERSIONS ARE
ROHS COMPLIANT



BOURNS®

Features

- Available in E6 series, E12 series optional
- High inductance up to 15 mH
- High current up to 5.6 A
- Gull wing leads
- Lead free version available (see How to Order)
- Lead free versions are RoHS compliant*

Applications

- Input/output of DC/DC converters
- Power supplies for:
 - Portable communication equipment
 - Camcorders
 - LCD TVs
 - Car radios

SRR0908 Series - SMD Shielded Power Inductors

Electrical Specifications

Bourns Part No.	Inductance 1 kHz		Q Ref.	Test Frequency (MHz)	SRF Min. (MHz)	RDC (ohms)	I rms Max. (A)	I sat Typ. (A)
	(μH)	Tol. %						
SRR0908-1R5M_	1.5	± 20	20	7.96M	65.0	0.014	5.60	10.00
SRR0908-2R7M_	2.7	± 20	20	7.96M	50.0	0.019	4.80	7.70
SRR0908-3R9M_	3.9	± 20	20	7.96M	35.0	0.021	4.40	6.60
SRR0908-5R6M_	5.6	± 20	18	7.96M	25.0	0.028	3.80	5.50
SRR0908-7R5M_	7.5	± 20	18	7.96M	15.0	0.032	3.40	4.60
SRR0908-100M_	10	± 20	33	2.52M	11.0	0.040	3.00	4.10
SRR0908-120M_	12	± 20	40	2.52M	11.0	0.050	2.50	4.00
SRR0908-150M_	15	± 20	45	2.52M	8.50	0.050	2.20	3.90
SRR0908-180M_	18	± 20	40	2.52M	8.50	0.075	2.00	3.80
SRR0908-220M_	22	± 20	35	2.52M	6.00	0.080	1.90	3.30
SRR0908-270M_	27	± 20	45	2.52M	6.00	0.090	1.80	2.90
SRR0908-330M_	33	± 20	40	2.52M	5.00	0.10	1.70	2.70
SRR0908-390M_	39	± 20	45	2.52M	5.00	0.14	1.50	2.40
SRR0908-470M_	47	± 20	40	2.52M	4.00	0.15	1.40	2.30
SRR0908-560M_	56	± 20	35	2.52M	3.00	0.17	1.35	2.10
SRR0908-680M_	68	± 20	30	2.52M	2.50	0.18	1.25	1.90
SRR0908-820M_	82	± 20	30	2.52M	2.40	0.26	1.05	1.90
SRR0908-101Y_	100	± 15	40	0.796M	6.00	0.28	1.00	1.30
SRR0908-121Y_	120	± 15	42	0.796M	5.70	0.34	0.90	1.10
SRR0908-151Y_	150	± 15	45	0.796M	4.60	0.45	0.80	1.00
SRR0908-181Y_	180	± 15	35	0.796M	4.20	0.50	0.70	1.00
SRR0908-221Y_	220	± 15	35	0.796M	3.80	0.60	0.65	0.95
SRR0908-271Y_	270	± 15	30	0.796M	3.40	0.70	0.60	0.75
SRR0908-331Y_	330	± 15	30	0.796M	3.00	0.80	0.55	0.70
SRR0908-391Y_	390	± 15	33	0.796M	2.60	1.00	0.50	0.65
SRR0908-471Y_	470	± 15	30	0.796M	2.30	1.15	0.45	0.62
SRR0908-561Y_	560	± 15	35	0.796M	2.20	1.50	0.38	0.55
SRR0908-681Y_	680	± 15	30	0.796M	2.00	1.70	0.35	0.50
SRR0908-821Y_	820	± 15	35	0.796M	1.90	2.20	0.32	0.45
SRR0908-102Y_	1000	± 15	85	0.252M	1.80	2.50	0.30	0.41
SRR0908-152Y_	1500	± 15	120	0.252M	1.30	4.00	0.25	0.35
SRR0908-222Y_	2200	± 15	95	0.252M	1.00	5.00	0.20	0.29
SRR0908-332Y_	3300	± 15	95	0.252M	0.90	8.00	0.15	0.24
SRR0908-472Y_	4700	± 15	90	0.252M	0.80	12.00	0.12	0.19
SRR0908-682Y_	6800	± 15	90	0.252M	0.60	16.50	0.10	0.16
SRR0908-822Y_	8200	± 15	85	0.252M	0.50	24.00	0.10	0.14
SRR0908-103Y_	10000	± 15	110	0.0796M	0.50	26.00	0.09	0.13
SRR0908-153Y_	15000	± 15	130	0.0796M	0.40	40.00	0.08	0.12

Multiple windings possible (up to four windings).

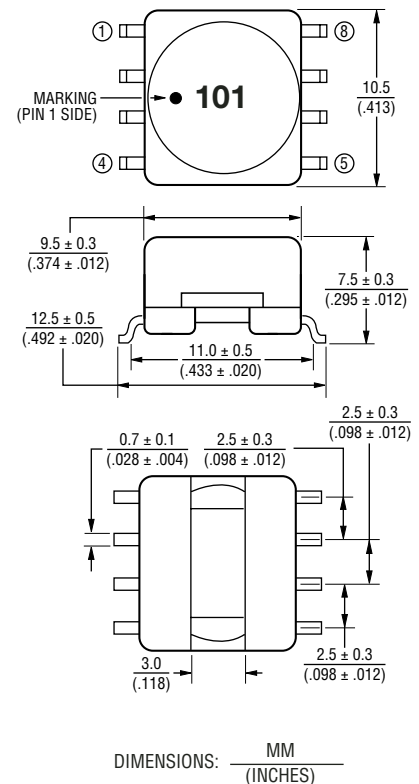
General Specifications

Test Voltage 1 V
 Reflow Soldering.....230 °C, 50 sec. max.
 Operating Temperature...-40 °C to +125 °C
 (Temperature rise included)
 Storage Temperature...-40 °C to +125 °C
 Resistance to Soldering Heat
260 °C for 5 sec.

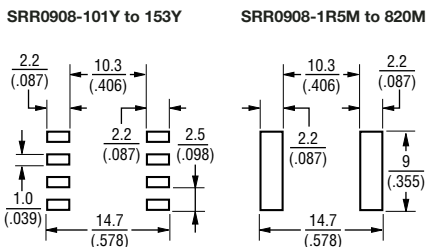
Materials

Core Ferrite DR and RI core
 Wire Enameled copper
 Base..... LCP
 Terminal See How to Order
 Adhesive Epoxy resin
 Rated Current
 Ind. drop 10 % typ. at Isat
 Temperature Rise
 40 °C max. at rated I rms
 Packaging..... 400 pcs. per reel

Product Dimensions



Recommended Layout



How to Order

Model _____

Value/Tolerance: from table _____

Termination _____

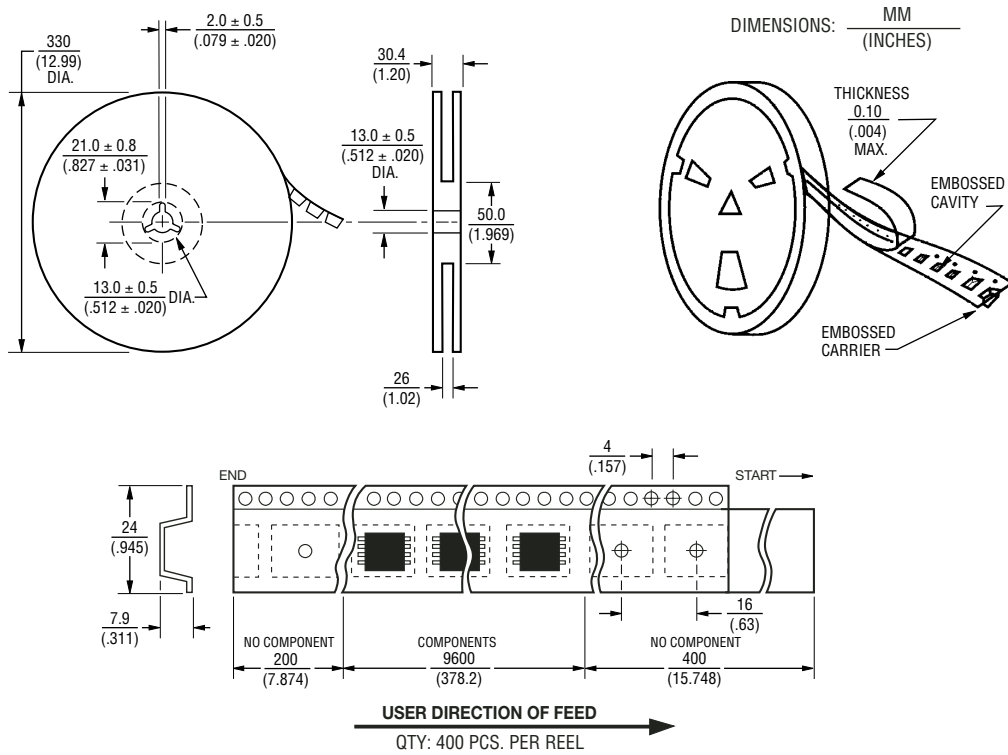
L = Cu/Ni/Sn
 Blank = Cu/Ni/SnPb

*RoHS Directive 2002/95/EC Jan 27 2003 including Annex
 Specifications are subject to change without notice.
 Customers should verify actual device performance in their specific applications.

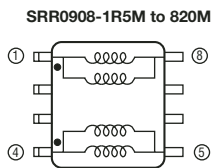
SRR0908 Series - SMD Shielded Power Inductors

BOURNS®

Packaging Specifications



Electrical Schematic



TOP VIEW (Typical Layout)

Termination of each individual winding may be either Pin 1, 2, 3, or 4.

Termination of opposite end of each individual winding may be either Pin 5, 6, 7, or 8

Windings will not be terminated to the same pin.

See "Recommended Layout" for SRR0908-1R5M to 820M.

